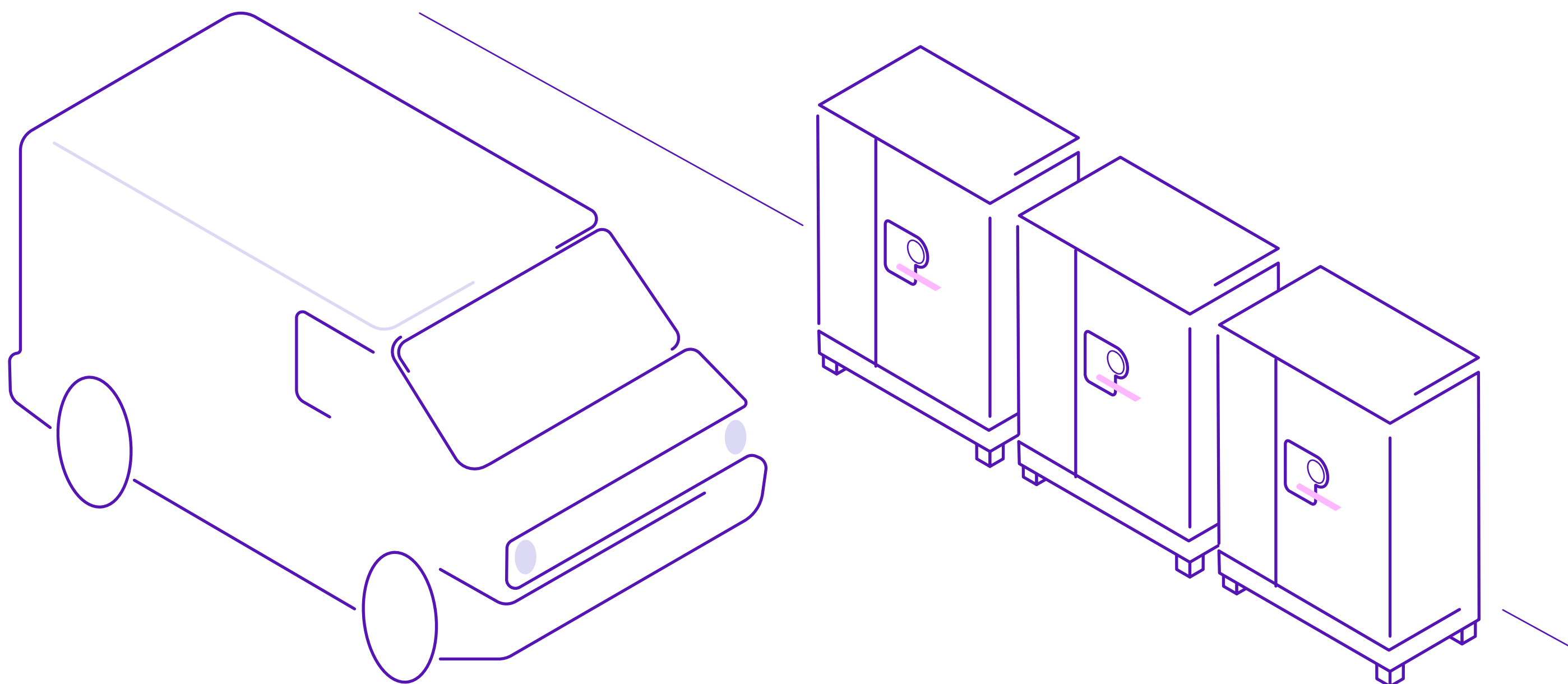


Do more in a day with BT Final Mile



Helping your engineers spend less time on the road

We have intelligent lockers at over 1,800 UK sites. So your engineers will never be more than a 15 minute drive from the parts they need. We'll let them know when they're ready to collect. Which means less drive time and wasted journeys. And lower emissions and fuel costs. Here's how it's helping our customers.



Calor Gas

145

miles of travel time saved per day.

5.6

tonnes of carbon emissions saved every year.

EDF Energy

20%

more engineers can collect parts in under 15 minutes.

Talk Talk

189,280

miles scrapped by field engineers each year.